

4

3

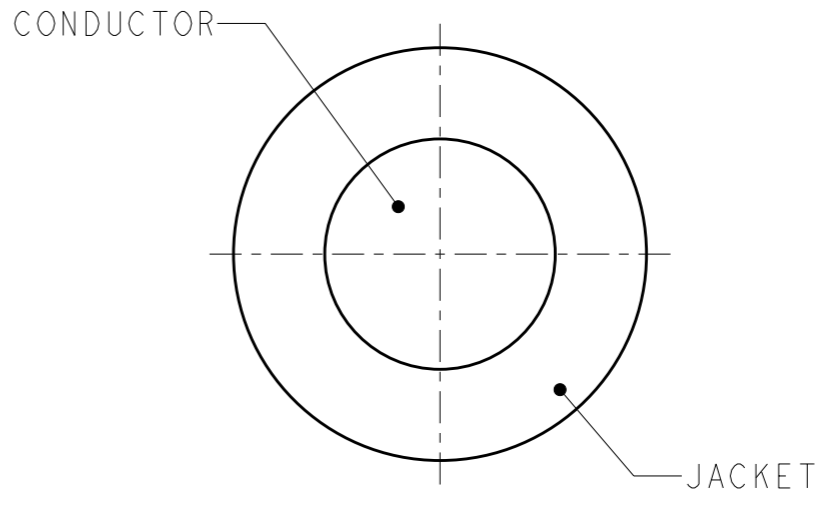
2

1

THIS DRAWING IS UNPUBLISHED. RELEASED FOR PUBLICATION 20  
 © COPYRIGHT 20 BY - ALL RIGHTS RESERVED.

LOC	DIST	REVISIONS			
P	LTR	DESCRIPTION	DATE	DWN	APVD
	C3	REVISED PER ECO-11-005027	15MAR2011	RK	HMR

- CONDUCTOR  
 NOMINAL STRANDING: 104/0100  
 NOMINAL DIAMETER: .120
- JACKET CONSTRUCTION  
 OUTSIDE DIAMETER: .215±.005  
 COLOR: BLACK
- MARKING  
 TE CONNECTIVITY 10 AWG (5.26mm<sup>2</sup>) XHHW-2 OR  
 XHH OR RHW-2 OR RHH SR OR USE-2 SUNLIGHT  
 RESISTANT (UL) 600V VWI UL LISTED.
- △ PART COMES IN 30" DRUM.
- ALL MATERIALS AND FINISHES SHALL COMPLY WITH EU DIRECTIVE  
 2002/95/EC OF 27JAN2003 (ROHS).



1000 FT REEL	1986164-3
500 FT REEL	1986164-2
△ 5000 FT REEL	1986164-1
CABLE LENGTH	PART NUMBER

THIS DRAWING IS A CONTROLLED DOCUMENT.		DWN S. WELDON 03APR2007	<b>STE</b> TE Connectivity													
DIMENSIONS: INCHES		CHK M. STRECKEWALD 03APR2007														
TOLERANCES UNLESS OTHERWISE SPECIFIED:		APVD M. STRECKEWALD 03APR2007	NAME SOLAR CABLE, UL-LISTED, 10 AWG													
<table border="0"> <tr> <td>0 PLC</td> <td>±-</td> </tr> <tr> <td>1 PLC</td> <td>±.1</td> </tr> <tr> <td>2 PLC</td> <td>±.02</td> </tr> <tr> <td>3 PLC</td> <td>±.005</td> </tr> <tr> <td>4 PLC</td> <td>±.0005</td> </tr> <tr> <td>ANGLES</td> <td>±-</td> </tr> </table>		0 PLC	±-	1 PLC	±.1	2 PLC	±.02	3 PLC	±.005	4 PLC	±.0005	ANGLES	±-	PRODUCT SPEC -	RESTRICTED TO -	
0 PLC	±-															
1 PLC	±.1															
2 PLC	±.02															
3 PLC	±.005															
4 PLC	±.0005															
ANGLES	±-															
MATERIAL -	FINISH -	APPLICATION SPEC -	SIZE A3	CAGE CODE 00779	DRAWING NO C-1986164											
MATERIAL		WEIGHT -	SCALE 10:1		SHEET 1											
CUSTOMER DRAWING		SCALE		OF	REV C3											